

VACUUM KF COMPONENTS

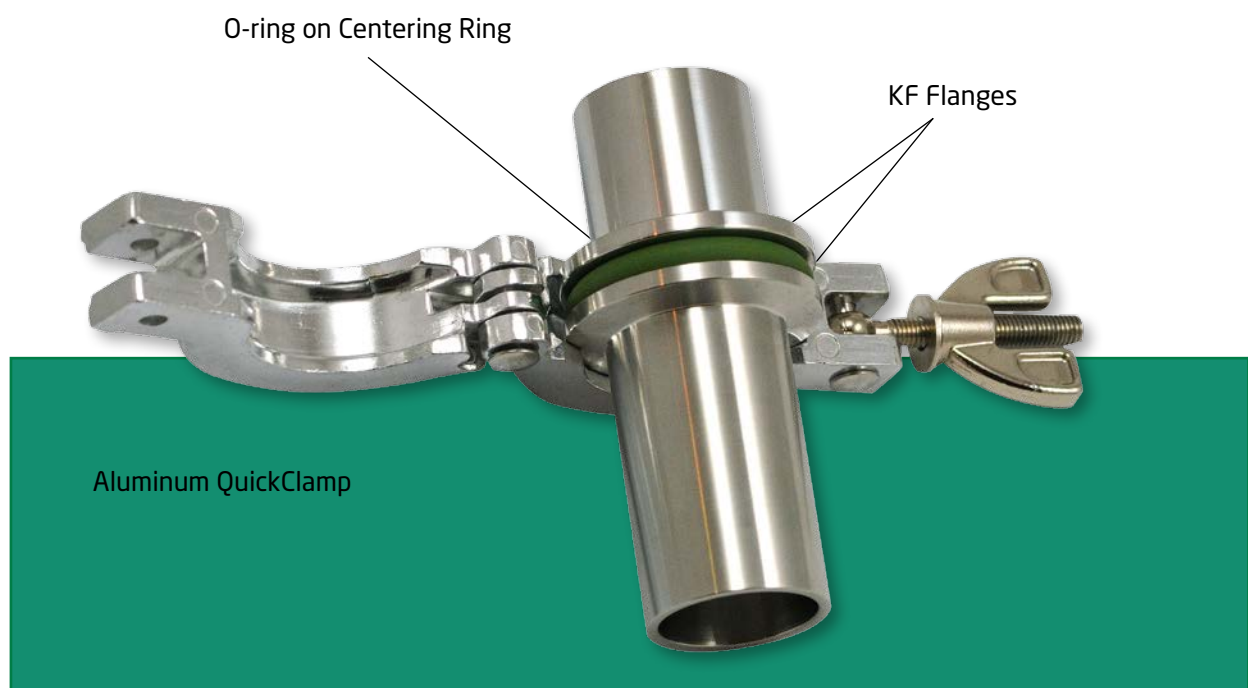
- Adaptors.....D 12

KF flanges utilize an Aluminum clamp with a single wingnut fastener allowing frequent disassembly without tools. The vacuum seal is effected by uniform application of pressure by the clamp on the 15° surface of the flange. The mating flange surfaces compress an "O"-ring (held in place by a metal centering ring) to produce a seal that can be used in vacuum applications down to 10^{-7} mbar and baked to 200°C (sustained to 150°C), for Viton O-ring.

The KF range of flanges and fittings are manufactured from high quality 316L (1.4404) Stainless Steel*. Some items are also available in Aluminum.

All given dimensions are nominal in mm.

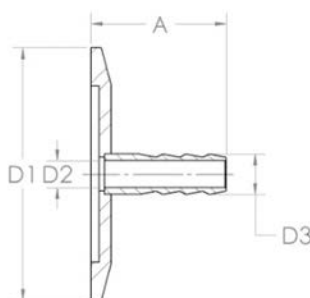
*304L (1.4407) available on request.



Adaptors

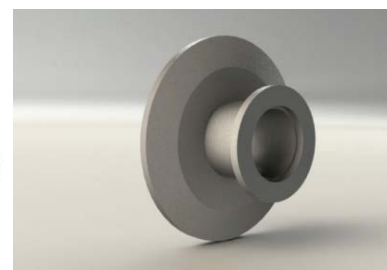
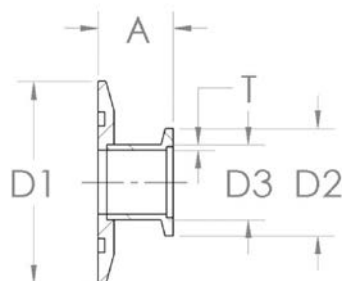
HOSE NOZZLE CONNECTOR - STAINLESS STEEL

P/N	DN	A	D1	D2	D3
KF16HNS	16	40	30	7	12
KF25HNS	16	40	40	7	12
KF40HNS	40	40	55	7	12
KF50HNS	50	40	75	7	12



REDUCER ADAPTOR - STAINLESS STEEL

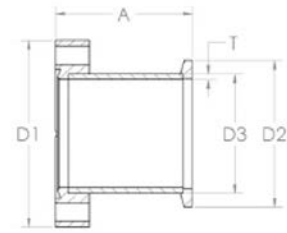
P/N	DN	A	D1	D2	D3	T
KF25R16	25/16	28	40	30	20.0	2
KF40R16	40/16	28	55	30	20.0	2
KF50R16	50/16	28	75	30	20.0	2
KF40R25	40/25	28	55	40	28.0	2
KF50R25	50/25	28	75	40	28.0	2
KF50R40	50/40	28	75	55	44.5	2



Special lengths are available on request.

KF TO CF REDUCER ADAPTOR - STAINLESS STEEL

P/N	DN	A	D1	D2	D3	T
KA1616	CF16/16	36	34	30	20.0	2
KA3516	CF35/16	36	70	30	20.0	2
KA3525	CF35/25	36	70	40	28.0	2
KA3540	CF35/40	50	70	55	44.5	2
KA6325	CF63/25	50	114	40	28.0	2
KA6340	CF63/40	50	114	55	44.5	2
KA6350	CF63/50	50	114	75	57.0	3
KA1025	CF100/25	50	152	40	28.0	2
KA1040	CF100/40	50	152	55	44.5	2
KA1050	CF100/50	50	152	75	57.0	3
KA1525	CF150/25	70	203	40	28.0	2
KA1540	CF150/40	70	203	55	44.5	2
KA1550	CF150/50	70	203	75	57.0	3

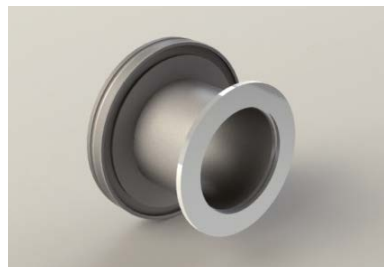
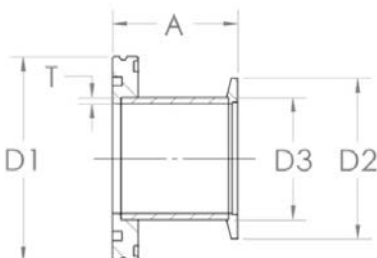


Special lengths are available on request.

ISO TO KF ADAPTOR - STAINLESS STEEL

P/N	DN	A	D1	D2	D3	T
SK6325	ISO63/25	50	95	40	28.0	2
SK6340	ISO63/40	50	95	55	44.5	2
SK6350	ISO63/50	50	95	75	57.0	3
SK1025	ISO100/25	50	130	40	28.0	2
SK1040	ISO100/40	50	130	55	44.5	2
SK1050	ISO100/50	50	130	75	57.0	3

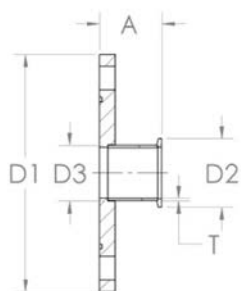
Special lengths are available on request.



ASA TO KF ADAPTOR - STAINLESS STEEL

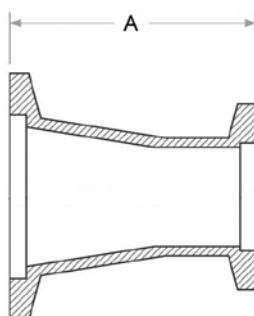
P/N	DN	A	D1	D2	D3	T
KASA4038G	ASA1.5"/40	46	127	55	44.5	2
KASA4050G	ASA2.0"/40	46	152	55	44.5	2
KASA4075G	ASA3.0"/40	46	191	55	44.5	2
KASA5038G	ASA1.5"/50	46	127	75	57.0	3
KASA5050G	ASA2.0"/50	46	152	75	57.0	3
KASA5075G	ASA3.0"/50	46	191	75	57.0	3

With O-ring groove.



CONICAL REDUCER ADAPTOR - STAINLESS STEEL

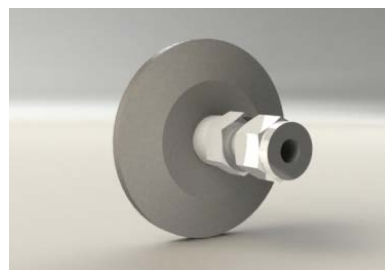
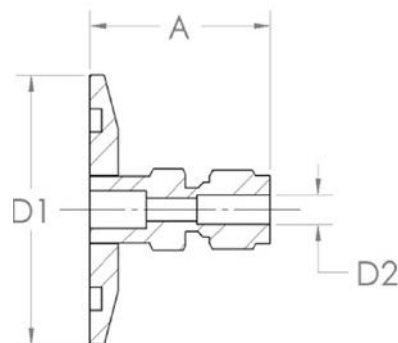
P/N	DN	A
KF25CR16	25/16	40
KF40CR16	40/16	40
KF50CR16	50/16	40
KF40CR25	40/25	40
KF50CR25	50/25	40
KF50CR40	50/40	40



Special lengths are available on request.

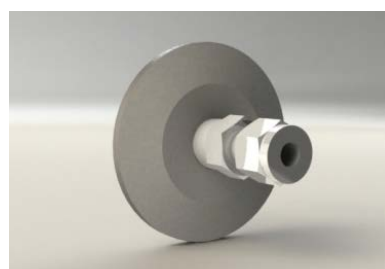
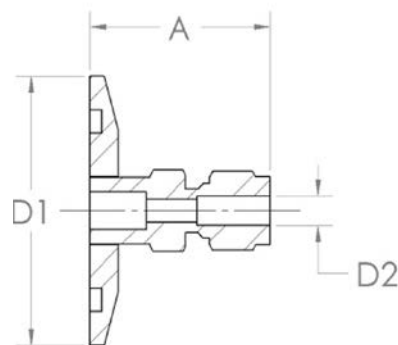
KF TO METRIC PIPE ADAPTOR - STAINLESS STEEL

P/N	DN	A	D1	D2
KSWA164	16	35	30	4
KSWA166	16	37	30	6
KSWA168	16	38	30	8
KSWA1610	16	45	30	10
KSWA1612	16	47	30	12
KSWA1616	16	53	30	16
KSWA254	25	35	40	4
KSWA256	25	37	40	6
KSWA258	25	38	40	8
KSWA2510	25	45	40	10
KSWA2512	25	47	40	12
KSWA2516	25	53	40	16
KSWA404	40	35	55	4
KSWA406	40	37	55	6
KSWA408	40	38	55	8
KSWA4010	40	45	55	10
KSWA4012	40	47	55	12
KSWA4016	40	53	55	16



KF TO IMPERIAL PIPE ADAPTOR - STAINLESS STEEL

P/N	DN	A	D1	D2
KSWA163	16	31	30	1/8"
KSWA167	16	38	30	1/4"
KSWA169	16	40	30	3/8"
KSWA1613	16	53	30	1/2"
KSWA253	25	34	40	1/8"
KSWA257	25	38	40	1/4"
KSWA259	25	40	40	3/8"
KSWA2513	25	53	40	1/2"
KSWA2519	25	54	40	3/4"
KSWA2525	25	66	40	1"
KSWA403	40	34	55	1/8"
KSWA407	40	36	55	1/4"
KSWA409	40	40	55	3/8"
KSWA4013	40	53	55	1/2"
KSWA4019	40	54	55	3/4"
KSWA4025	40	66	55	1"



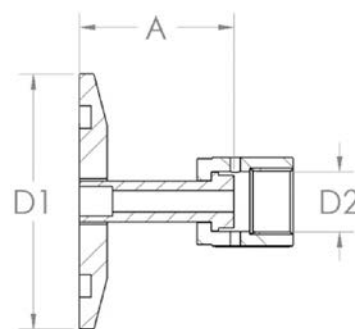
KF TO MALE VCR ADAPTOR - STAINLESS STEEL

P/N	DN	A	D1	D2	VCR
KVCR166M	16	35.6	30	4.8	1/4"
KVCR1613M	16	41.4	30	10.4	1/2"
KVCR256M	25	35.6	40	4.8	1/4"
KVCR2513M	25	40.6	40	10.4	1/2"
KVCR2519M	25	54.4	40	15.7	3/4"
KVCR406M	40	35.6	55	4.8	1/4"
KVCR4013M	40	40.6	55	10.4	1/2"
KVCR4019M	40	53.3	55	15.7	3/4"
KVCR506M	50	35.6	75	4.8	1/4"
KVCR5013M	50	40.6	75	10.4	1/2"
KVCR5019M	50	53.3	75	15.7	3/4"



KF TO FEMALE VCR ADAPTOR - STAINLESS STEEL

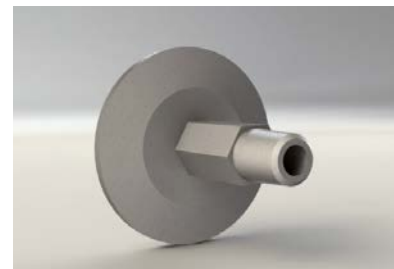
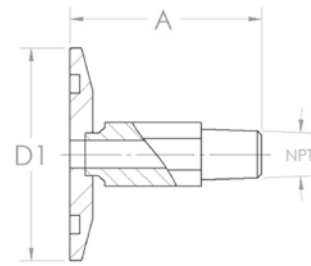
P/N	DN	A	D1	D2
KVCR166F	16	35.6	30	1/4"
KVCR1613F	16	40.5	30	1/2"
KVCR256F	25	35.6	40	1/4"
KVCR2513F	25	40.6	40	1/2"
KVCR2519F	25	54.4	40	3/4"
KVCR406F	40	35.6	55	1/4"
KVCR4013F	40	40.6	55	1/2"
KVCR4019F	40	53.3	55	3/4"
KVCR506F	50	35.6	75	1/4"
KVCR5013F	50	40.6	75	1/2"
KVCR5019F	50	53.3	75	3/4"



KF to BSP adaptors are available on request (conical or BSP-P).

KF TO MALE-NPT PIPE ADAPTOR - STAINLESS STEEL

P/N	DN	A	D1	NPT
KNPT163	16	40	30	1/8"
KNPT166	16	50	30	1/4"
KNPT253	25	40	40	1/8"
KNPT256	25	50	40	1/4"
KNPT2513	25	75	40	1/2"
KNPT2519	25	75	40	3/4"
KNPT406	40	50	55	1/4"
KNPT4013	40	75	55	1/2"
KNPT4019	40	75	55	3/4"
KNPT4025	40	75	55	1"
KNPT506	50	50	75	1/4"
KNPT5013	50	75	75	1/2"
KNPT5019	50	75	75	3/4"
KNPT5025	50	75	75	1"



DOUBLE RING FITTINGS - STAINLESS STEEL

The double ring fitting makes considerably easier all assembling of tubing which has to remain tight under extreme pressure, vacuum or vibration conditions as well as under thermal shock.

Double ring fitting consists of a body, a nut and front and rear rings (or ferrules). The pressure applied by the nut during torquing squeezes both rings one against the other and against the tube which ensures optimal tightness.

Pressure range: 2.5 bar to 10⁻⁹ mbar.

	FOR OD TUBE	
Double straight unions		
Equal elbows		
Equal tees	3 mm 4 mm 6 mm 8 mm 10 mm 1/8" 1/4" 1/2"	
Reduction		
Front and rear rings		

Tube

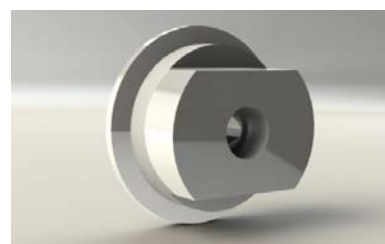
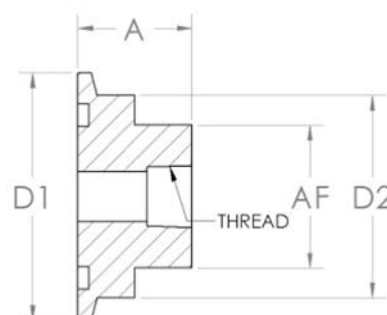
Neyco offers a large variety of Outside diameters and lengths on seamless tubes, in 304L or 316L Stainless Steel.



KF TO FEMALE-NPT PIPE ADAPTOR - STAINLESS STEEL

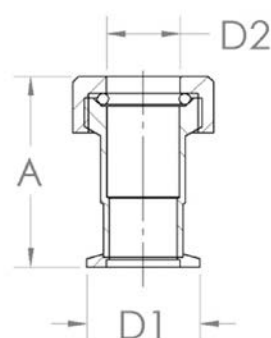
P/N	DN	A	AF	D2	D2	THREAD
KNPT163F	16	19.1	15.8	30	20	1/8"
KNPT166F	16	19.1	15.8	30	20	1/4"
KNPT253F	25	19.1	22.4	40	28	1/8"
KNPT256F	25	19.1	22.4	40	28	1/4"
KNPT403F	40	25.4	31.8	55	45	1/8"
KNPT406F	40	25.4	31.8	55	45	1/4"
KNPT503F	50	25.4	44.5	75	57	1/8"
KNPT506F	50	25.4	44.5	75	57	1/4"

AF = Across flats.



COMPRESSION FITTING - STAINLESS STEEL

P/N	DN	A	D1	D2	TUBE OD
KF16TA6	16	32	30	6.7	6.4
KF16TA12	16	50	30	13.1	12.7
KF16TA19	16	56	30	19.4	19.1
KF25TA12	25	50	40	13.4	12.7
KF25TA19	25	58	40	19.4	19.1
KF25TA25	25	62	40	25.8	25.4
KF40TA12	40	58	55	13.4	12.7
KF40TA19	40	63.5	55	19.4	19.1
KF40TA25	40	71	55	25.8	25.4
KF40TA28	40	74	55	29	28.6
KF40TA38	40	84	55	38.4	38.1
KF50TA19	50	63.5	75	19.4	19.1
KF50TA25	50	71	75	25.8	25.4
KF50TA28	50	74	75	29	28.6
KF50TA38	50	87	75	38.4	38.1
KF50TA50	50	87	75	51.1	50.8



KF LIQUID FEEDTHROUGH - STAINLESS STEEL

P/N	DN	TUBE TERMINATION	FIG.	D1	L1	L2	L3	L4
LFKF16PP	16	Plain	1	30	45	75	-	-
LFKF40PP	40	Plain	1	55	45	75	-	-
LFKF40SS	40	6mm fitting	1	55	73	103	-	-
LFKF402PP	40	Plain	2	55	75	45	45	75
LFKF402SS	40	6mm fitting	2	55	103	73	73	103

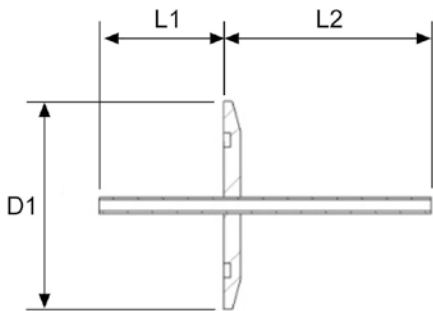


Fig. 1

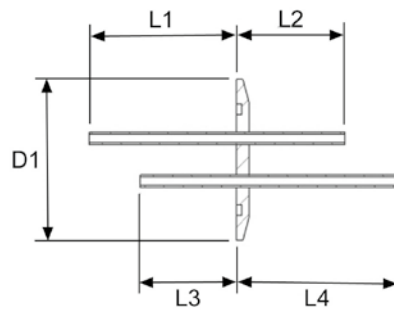
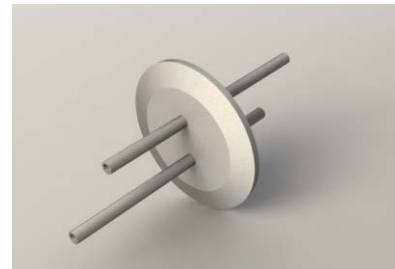


Fig. 2



KF LIQUID NITROGEN FEEDTHROUGH - STAINLESS STEEL

P/N	DN	TUBE TERMINATION	FIG.	D1	L1	L2	L3	L4
LNFKF402PP	40	Plain	2	55	45	75	75	45
LNFKF402SS	40	6mm fitting	2	55	73	103	103	73
LNFKF16PP	16	Plain (6mm - D2)	1	30	45	75	-	-
LNFKF40PPL	40	Plain (6mm - D2)	1	55	45	75	-	-

Other flange and fitting configurations are available on request.

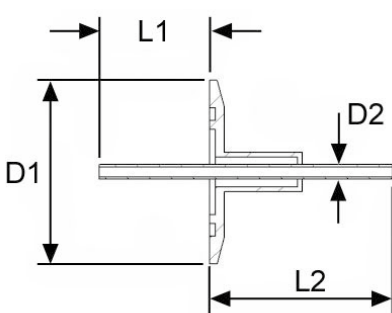


Fig. 1

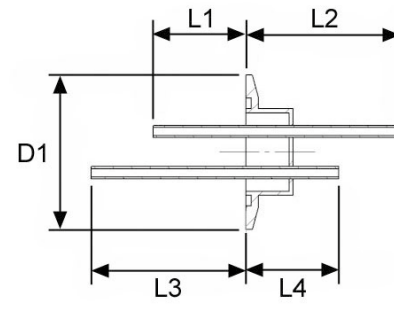


Fig. 2





neyco

30 avenue de la Paix
92170 VANVES - France
Tel: +33(0)1 41 90 50 50
Fax: +33(0)1 41 90 50 51

www.neyco.fr



Vacuum D 2013-3

neyco