

VACUUM BELLOWS & MOVEMENT FEEDTHROUGHS

- Manipulators..... K 15

Manipulators

Neyco provides XYZ manipulators with high precision positioning. They feature precision preloaded crossroller stage control with preloaded micrometer-to-stage coupling. The XY guide system is made of hardened Steel.

STANDARD FEATURES

- Bakeable to 200°C fully assembled
- Hardened Steel X and Y cross-roller guides
- Dual 19 mm O.D. precision-ground Stainless Steel Z guide rods
- Travelling flange: 40 CF, tapped
- Aluminum stage construction
- Stainless Steel only material exposed to vacuum
- All position operation



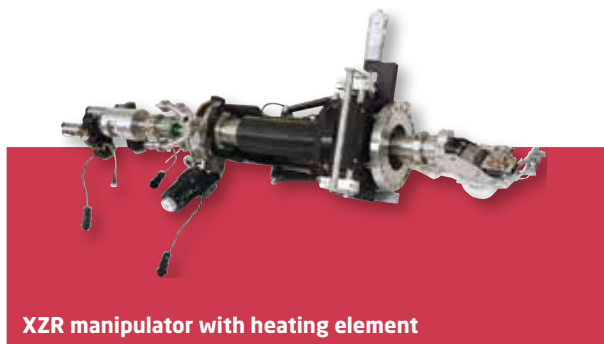
STANDARD SPECIFICATIONS

<p>X Axis Y Axis</p>	<p>±12.7 mm X and Y travel, circular pattern, preloaded micrometer-to-stage coupling Resolution: < 0.0025 mm readability with optional large micrometers (only) Repeatability: < 0.0038 mm Backlash: < 0.0038 mm</p>
<p>Z Axis</p>	<p>50 mm, 100 and 150 acme Z travel, 2.5 mm/turn knob adjust Resolution: < 0.013 mm Repeatability: < 0.013 mm Backlash: < 0.018 mm Rigidity: < 0.025 mm 2.25 kg load charge (35.3 mm I.D. bellows only)</p>
<p>Bellows</p>	<p>35.3 or 47.5 mm I.D.</p>

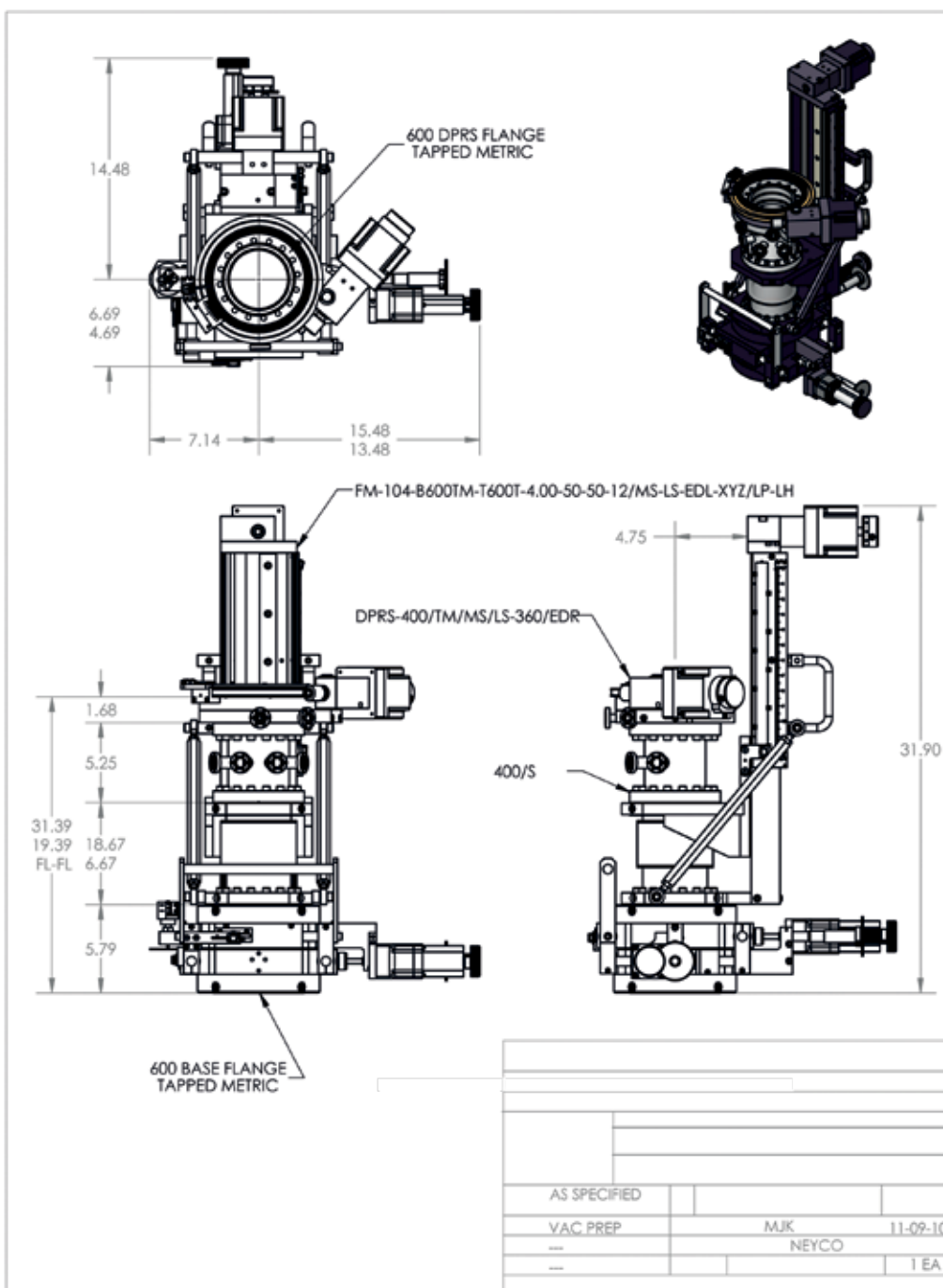
K

We manufacture manipulators with customer's specifications, with approval drawing.

➡ See Section F - Refractory Materials in our Materials catalogue about PBN/Heating Elements.



XZR manipulator with heating element





neyco

30 avenue de la Paix
92170 Vanves - France
Tel: +33(0)1 41 90 50 50
Fax: +33(0)1 41 90 50 51

www.neyco.fr



Materials K 2013

neyco